

MT-10



MT-10-S

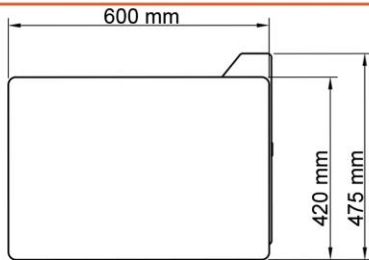


MT-10
Motorized Tables

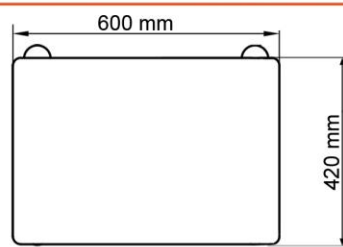
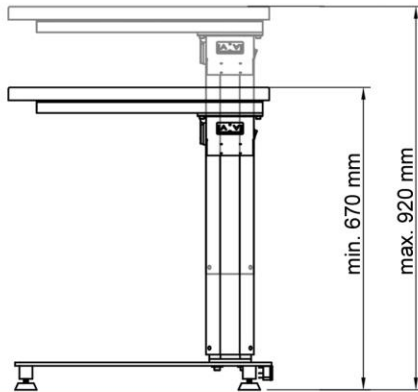
MT-10

TECHNICAL SPECIFICATIONS

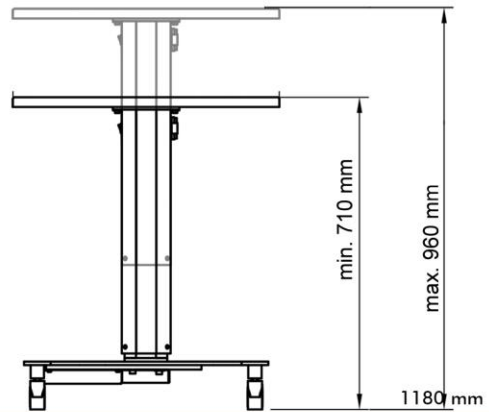
Motorized Tables	MT-10
Input Voltage	100-240 VAc
Power Aux Outlet	1
Maximum Load	75 Kg
Stroke	250mm



MT-10-S



MT-10



IMPORTANT Yuratek Ltd. subject to change in design and /or specifications without advanced notice. For detailed info please contact your dealer.

YURATEK

YURATEK LTD. ŞTİ.
Saray Mah. 47.Sok. No:1 Kahraman Kazan - ANKARA /TÜRKİYE
Tel : +90.312 395 29 96 Fax : +90.312 395 29 97
e-mail: info@yuratek.com www.yuratek.com



MT-20



MT-20-T



MT-20-C



MT-20

Motorized Tables

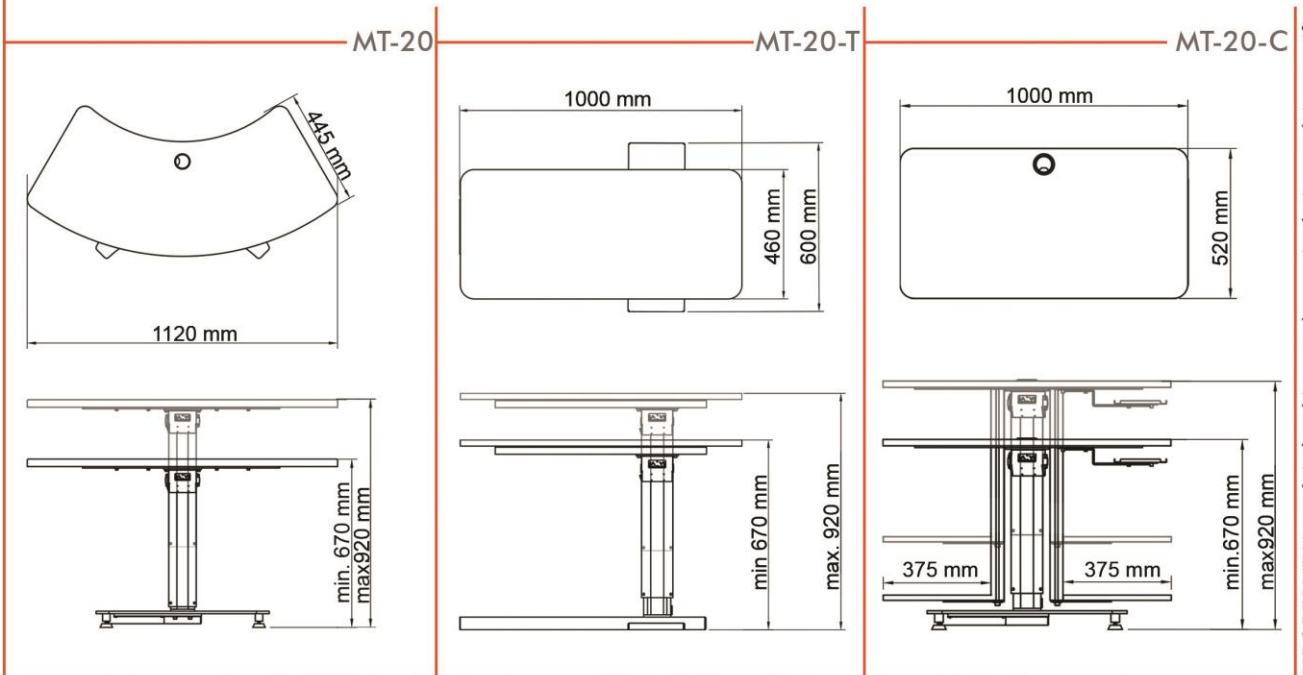
MT-20

TECHNICAL SPECIFICATIONS

Motorized Tables	MT-20
Input Voltage	100-240 VAc
Power Aux Outlet	2
Maximum Load	100 Kg
Stroke	250mm



IMPORTANT Yuratek Ltd. subject to change in design and /or specifications without advanced notice. For detailed info please contact your dealer.



YURATEK

YURATEK LTD. ŞTİ.
Saray Mah. 47.Sok. No:1 Kahraman Kazan - ANKARA /TÜRKİYE
Tel : +90.312 395 29 96 Fax : +90.312 395 29 97
e-mail: info@yuratek.com www.yuratek.com



MT-30



MT-30-C



MT-30
Motorized Tables

MT-30

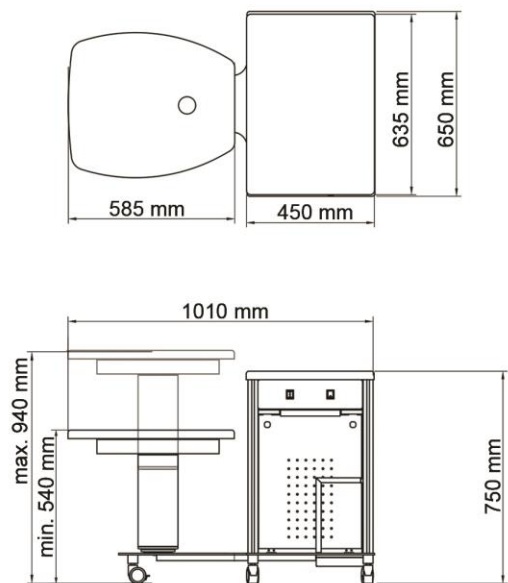
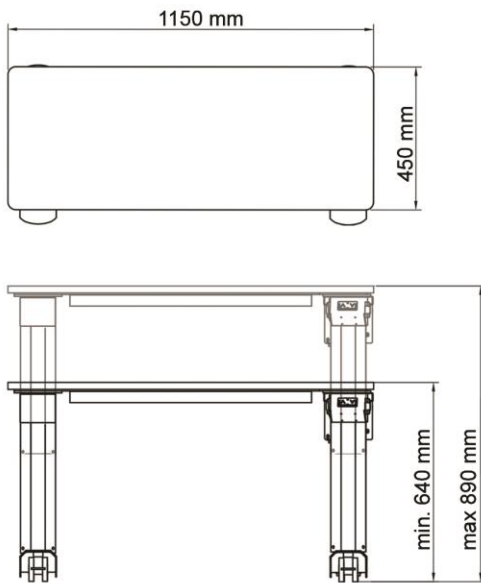
TECHNICAL SPECIFICATIONS

Motorized Tables	MT-30
Input Voltage	100-240 VAc
Power Aux Outlet	2
Maximum Load	100 Kg
Stroke	400mm



MT-30

MT-30-C



IMPORTANT Yuratek Ltd. subject to change in design and /or specifications without advanced notice. For detailed info please contact your dealer.

YURATEK

YURATEK LTD. ŞTİ.
Saray Mah. 47.Sok. No:1 Kahraman Kazan - ANKARA /TÜRKİYE
Tel : +90.312 395 29 96 Fax : +90.312 395 29 97
e-mail: info@yuratek.com www.yuratek.com



ISO 13485